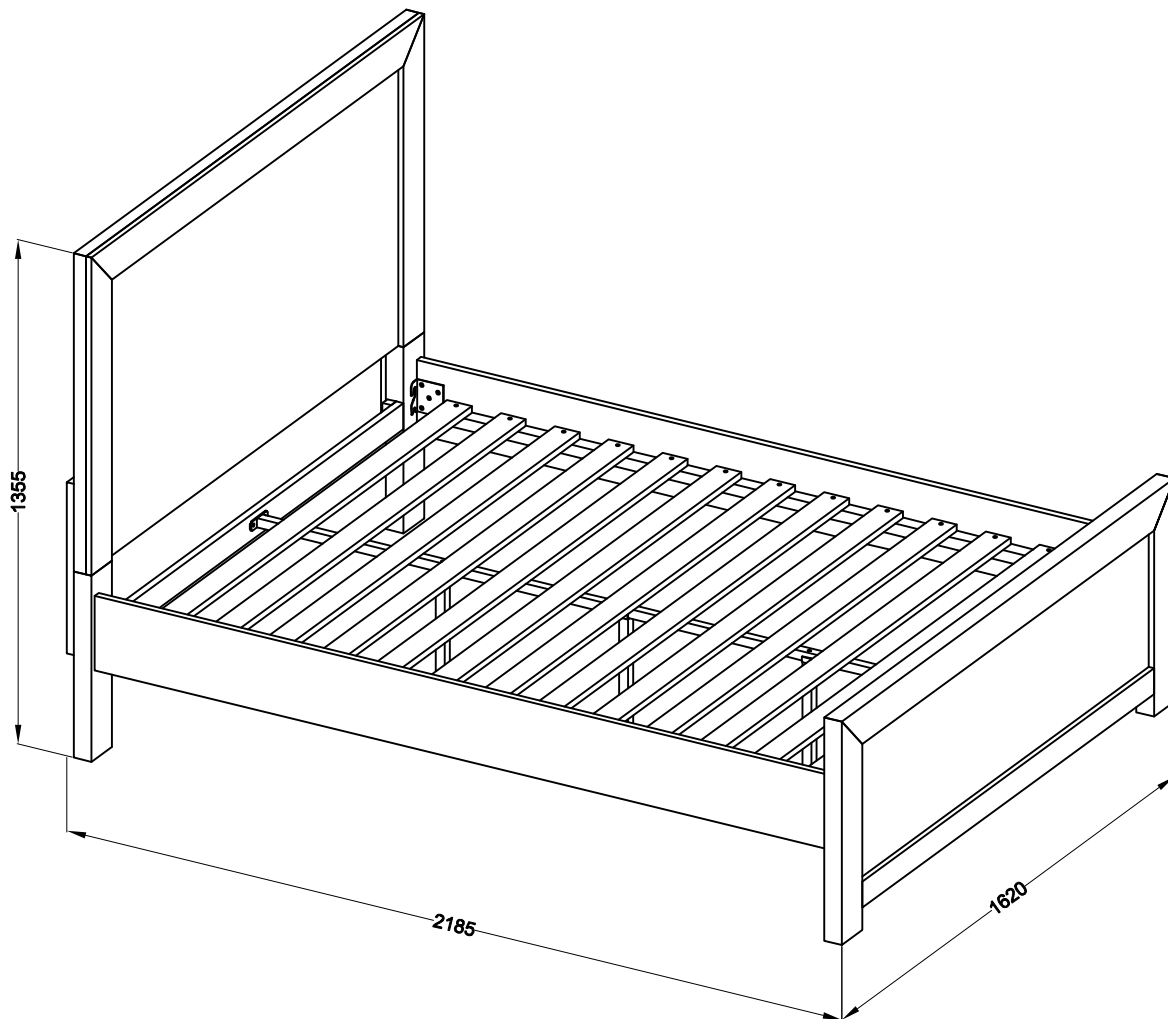


Amart Furniture

ASSEMBLY INSTRUCTION MAITLAND QUEEN BED

ITEM CODE: 66744

Imported by Amart Furniture Pty Ltd, Qld, Brisbane Australia.
for any assistance with assembly or for missing parts please phone
Amart Furniture, Customer Service Freecall 1800 351 084

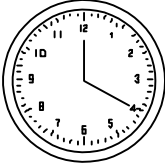





Imported by Amart Furniture Pty Ltd, Qld, Brisbane Australia.
for any assistance to assembly or for missing parts please phone
Amart Furniture, Customer Service Freecall 1800 351 084

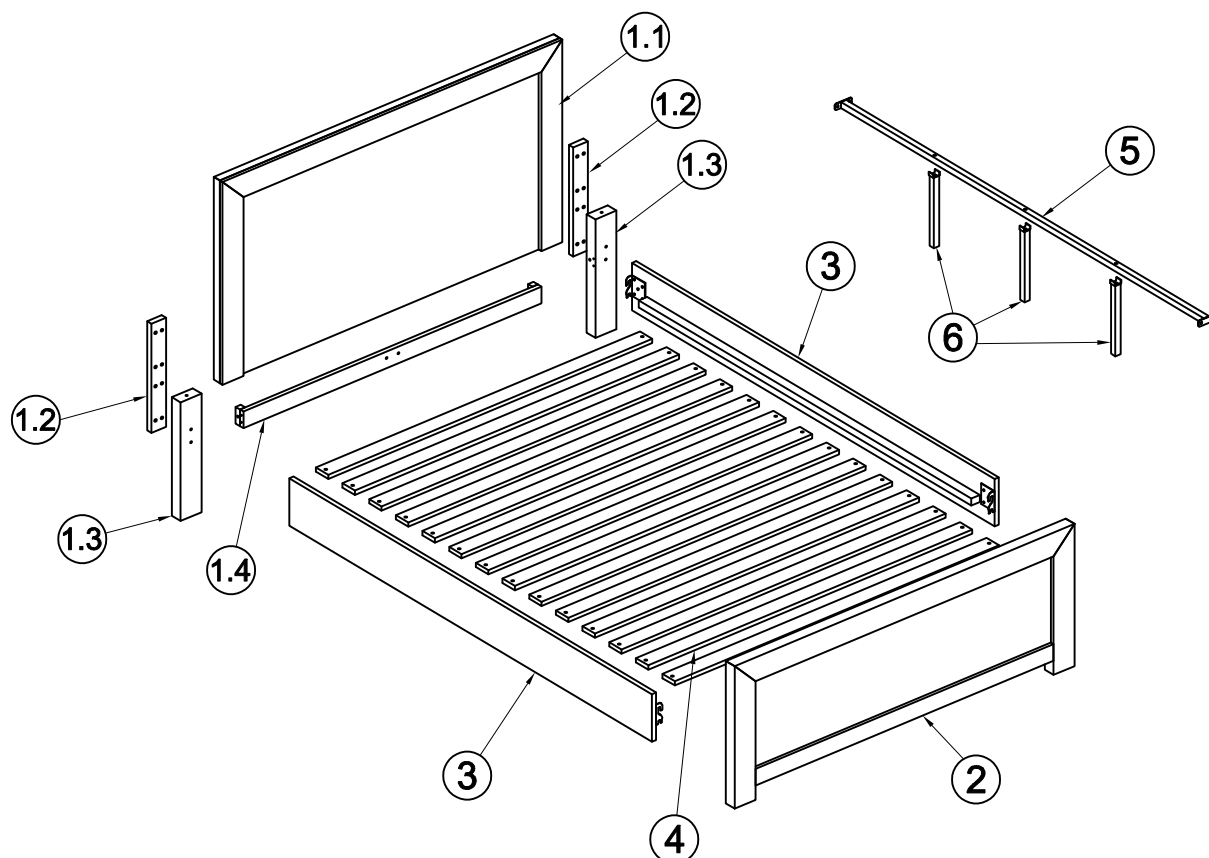
PRE-ASSEMBLY PREPARATION

BEFORE YOU START :












1. Choose a clean, level, spacious assembly area. Avoid hard surfaces that may damage the product
2. Take care when lifting. Product should be assembled as near as possible to the point of use
3. Ensure that you have all required contents for complete assembly
4. Always read the assembly instructions carefully before beginning assembly.
5. Keep all hardware parts and packaging out of reach of small children.
6. Do not over tighten the screws and bolts as this may damage the threads

	
ALLOW 20 MINUTES	2 PEOPLE REQUIRED
 	<p>We recommend using screw driver to put this item together. However if you choose to use a power drill it must be used on LOW SPEED (LOW TORQUE) as too much pressure could damage the product.</p>
ADDITIONAL TOOLS REQUIRED	

PARTS LIST

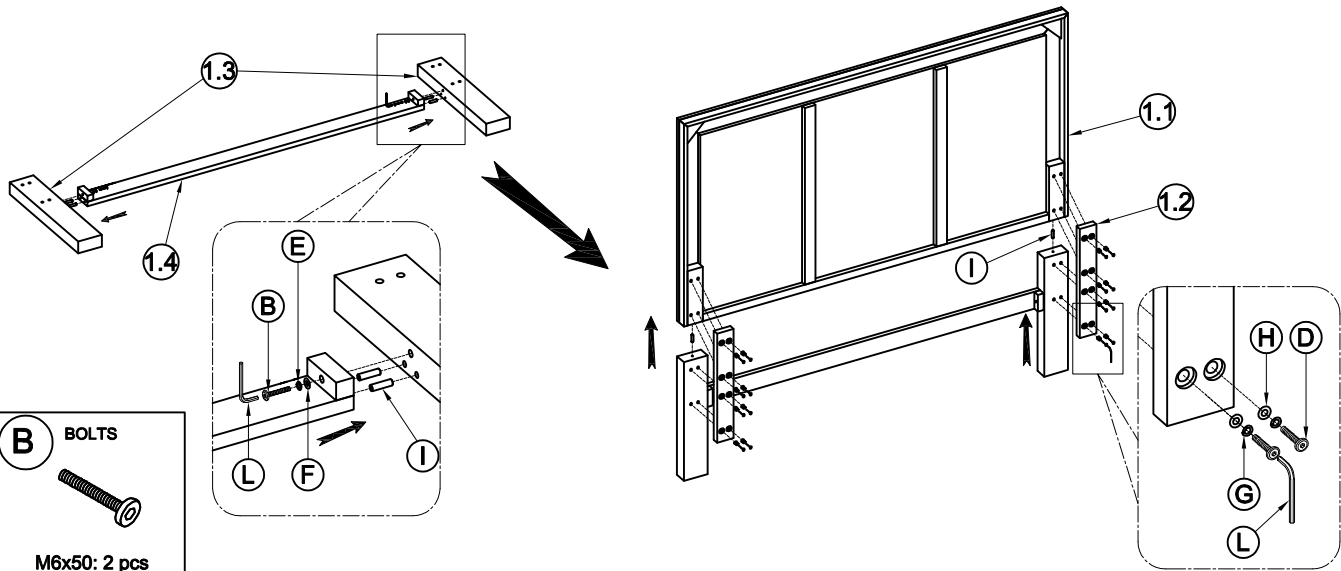



1	HEADBOARD	1 PC	1.1: HEADBOARD PANEL	1 PC
			1.2: CONNECTING HEADBOARD	2 PCS
			1.3: HEADBOARD LEGS	2 PCS
			1.4: BOTTOM STRETCHER	1 PC
2	FOOTBOARD	1 PC		
3	SIDE RAILS	2 PCS		
4	SLATS	14 PCS		
5	METAL CENTRAL RAIL	1 PC		
6	METAL SUPPORT LEGS	3 PCS		


A BOLTS  M6x20: 4 pcs	B BOLTS  M6x50: 5 pcs	C BOLTS  M8x30: 8 pcs	D BOLTS  M8x40: 16 pcs	E SPRING WASHER  M6x1.2x13: 9 pcs	F WASHER  M6x2x19: 9 pcs	G SPRING WASHER  M8x1.2x13: 24 pcs
H WASHER  M8x2x19: 24 pcs	I DOWEL  M8x30: 6 pcs	K SCREWS  M4x30: 28 pcs	L ALLEN KEY  M4x59: 1 pc			


Step 1 :


- Attach the Headboard legs (1.3) to the Bottom stretcher (1.4) using bolts (B), spring washer (E), washer (F), Dowel (I) and using allen key (L).
- Attach the Connecting headboard (1.2) to the Headboard panel (1.1), Headboard legs (1.3) using bolts (D), spring washer (G), washer (H), Dowel (I) and using allen key (L).



B BOLTS

 M6x50: 2 pcs


D BOLTS

 M8x40: 16 pcs


E SPRING WASHER

 M6x1.2x13: 2 pcs


F WASHER

 M6x2x19: 2 pcs

G SPRING WASHER

 M8x1.2x13: 16 pcs

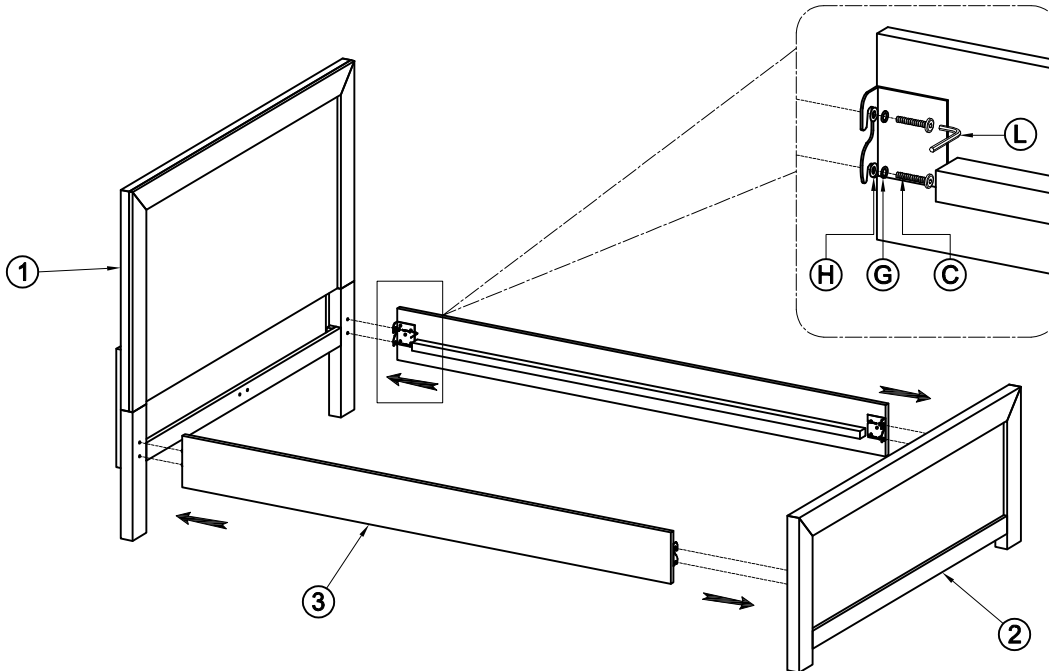
H WASHER

 M8x2x19: 16 pcs


I DOWEL

 M8x30: 6 pcs


L ALLEN KEY

 M4X59: 1 pc


Step 2 :


- Attach the Side rails (3) to the Headboard (1), Footboard (2) using bolts (C), spring washer (G), washer (H) and using allen key (L).



C BOLTS

 M8x30: 8 pcs

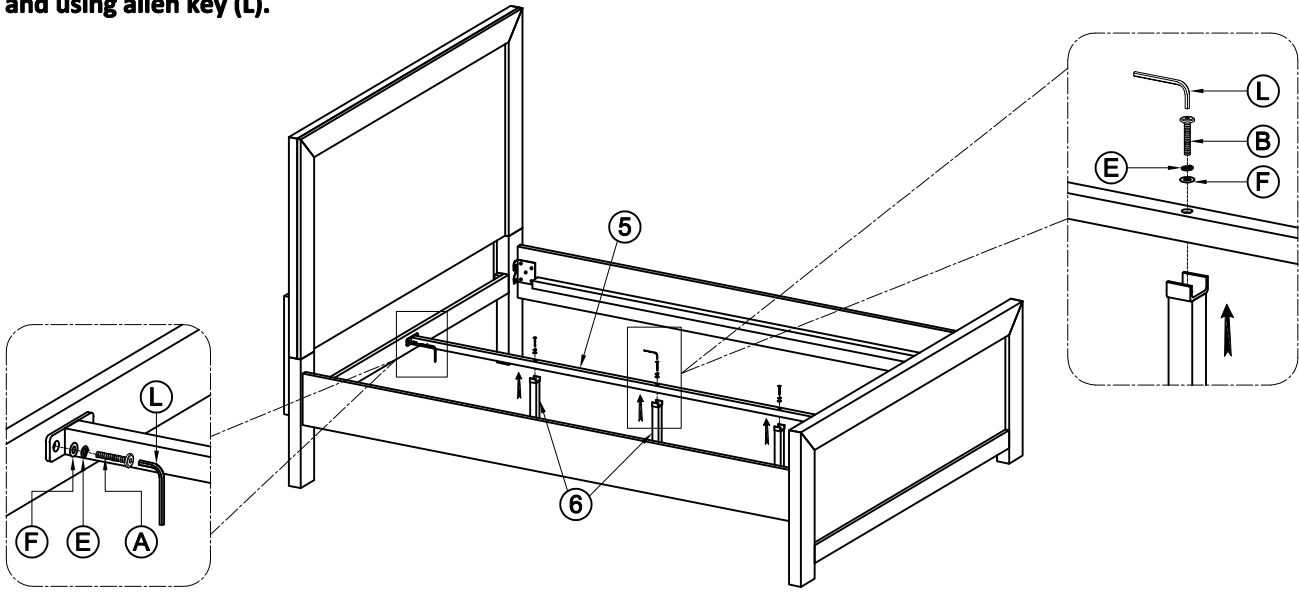
G SPRING WASHER

 M8x1.2x13: 8 pcs






H WASHER

 M8x2x19: 8 pcs

L ALLEN KEY

 M4X59: 1 pc

Step 3 :

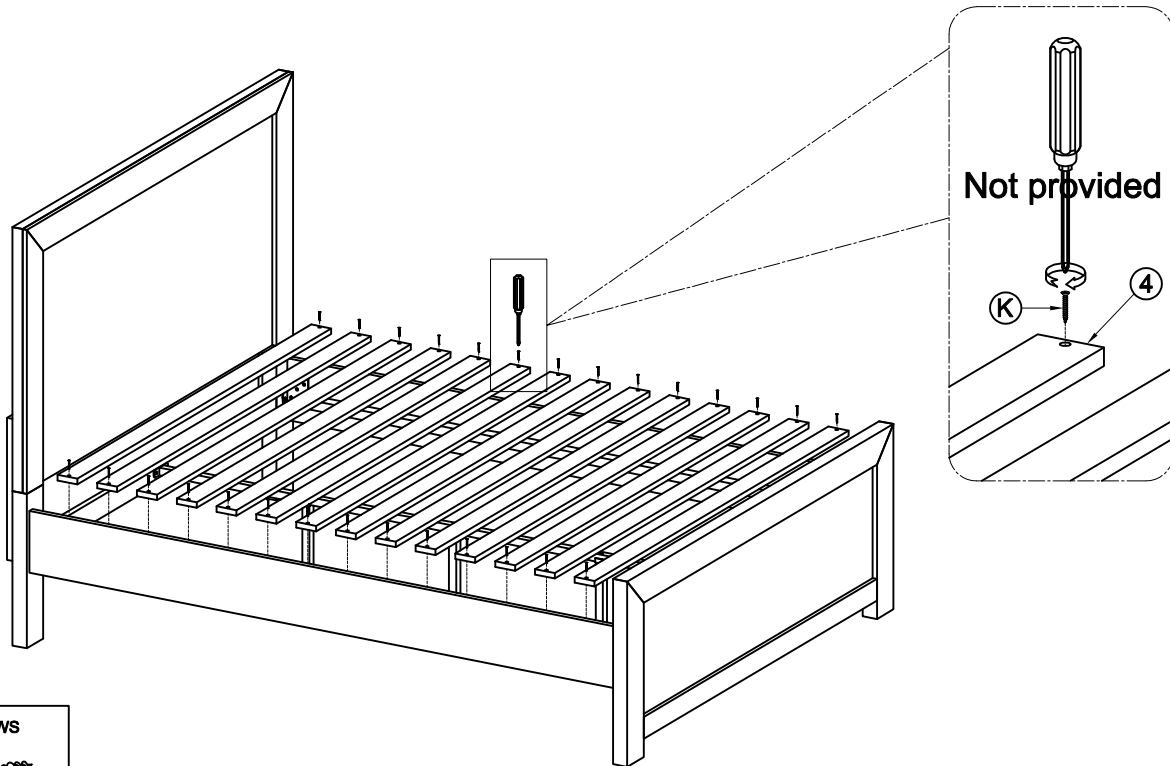
- Attach the Metal support legs (6) to the Metal central rail (5) using bolts (B), spring washer (E), washer (F) and using allen key (L).
- Attach the Metal central rail (5) to the Headboard (1), Footboard (2) using bolts (A), spring washer (E), washer (F) and using allen key (L).

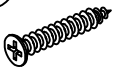


A BOLTS  M6x20: 4 pcs	B BOLTS  M6x50: 3 pcs	E SPRING WASHER  M6x1.2x13: 7 pcs	F WASHER  M6x2x19: 7 pcs	L ALLEN KEY  M4X59: 1 pc
---	---	---	--	---

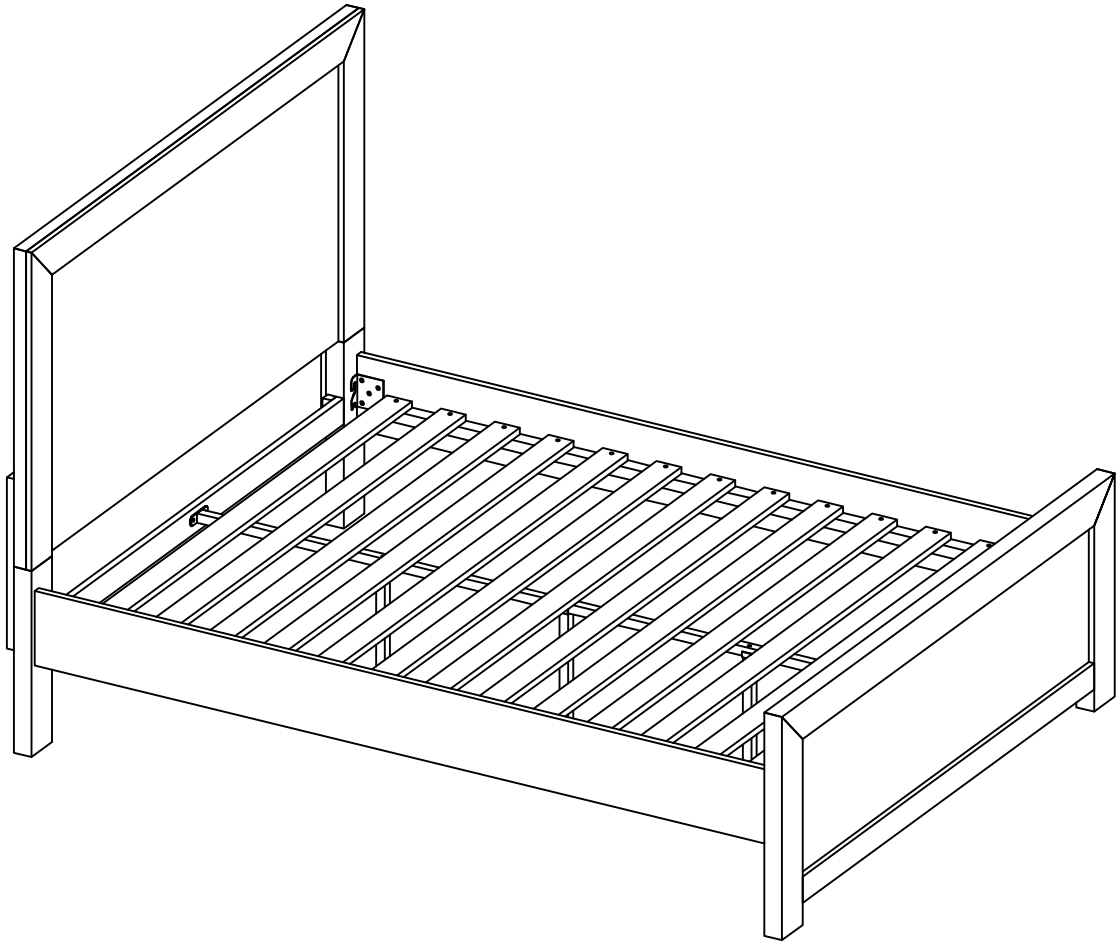
Step 4 :

- Attach the Slat (4) to the Side rails (3) using Screws (K).



K SCREWS  M4x30: 28 pcs

ASSEMBLY COMPLETE



As our timber is supplied from sustainable forests there will be natural variations in surface texture and grain like knots, mineral streaks and sap runs that may affect the finish. These differences in character are not defects, but distinctions that make each piece of furniture unique

Our furniture is built to last. Following these steps for basic care should protect your investment for years to come

- Dust frequently with a clean damp lint-free cloth. This will help remove abrasive build up which can damage a finish over time
- Do not place hot objects on any furniture surface. Always use a hot plate or placemat. Laminate and lacquer finishes on table tops provide added scratch and heat resistance to our furniture, but they can still be damaged without proper care
- Avoid exposing your furniture to strong sunlight, heat outlet, open windows or dampness. Prolonged exposure to direct sunlight can fade the finish of your furniture, while extreme temperature and humidity changes can cause cracking or splitting
- Do not expose your furniture to any liquids. Never allow water to sit on your furniture. Alcohol, nail polish and perfume are also dangerous as they will dissolve the lacquer finish on contact and may require professional repairs
- Do not allow plastic to come in direct contact with your furniture. Chemicals in the plastic of placemats etc. may soften and mark the finish if left in contact with the furniture for a period of time